



MEGAWATT
EARTH ENERGY
Since 2017



पीएम -सूर्य घर मुफ्त बिजली
योजना
for Rooftop Solar



Solar Power Plant Solutions

Your Partner for Green Energy



हम रिश्ते बनाते है ,कस्टमर नहीं





Turnkey Rooftop Solar Solutions

Residential | Commercial | Industrial

About Us

AV AV MEGAWATT EARTH ENERGY PVT. LTD., based in Bhopal, is a trusted name in the solar power and renewable energy sector since 2017. Established with a vision to promote sustainable energy solutions, we specialize in providing end-to-end services for solar power projects—ranging from design and consultancy to EPC (Engineering, Procurement & Construction) and installation & commissioning (INC). With over 5 MW of successfully completed solar projects and more than 1500 satisfied clients across the Commercial & Industrial (C&I) sector, we have built a reputation for delivering reliable, cost-effective, and innovative solar solutions. We cater to a wide range of sectors including industries, institutions, offices, households, schools, and utility-scale solar plants. Our team of experienced professionals leverages the latest technologies and quality standards to ensure maximum performance and client satisfaction.

- We are:
- An Authorized Channel Partner of Jakson Solar
 - A Govt.-registered MSME Company
 - An Approved Vendor under MPCZ Rooftop Solar Scheme
 - ISO 9001:2015 Certified for Quality Management
 - Registered on the PM Surya Ghar Muft Bijli Yojana Portal for direct government subsidy support

Our Core Services

- ✓ Designing
- ✓ Consultancy
- ✓ Engineering, Procurement & Construction (EPC)
- ✓ Installation & Commissioning (INC)

Our Mission

To deliver innovative, cost-effective, and sustainable solar energy solutions—contributing to a cleaner and greener planet.

Why Choose AV Megawatt Earth Energy?

- ★ 10+ years of proven reliability in the solar sector Lagusi of 2017
- 🏠 One-stop solar solutions under one trusted brand
- 🇮🇳 1500+ satisfied clients across India
- 🏢 Authorized Rooftop Vendor – Approved by MPCZ (Madhya Pradesh Government)
- ☀️ Customized Solar Solutions tailored to client needs
- 🔧 End-to-End Services from site survey to final commissioning
- 👤 Experienced, certified team with domain expertise



Solar Panel Cleaning Services

Dirty Solar can loose over 50% efficiency



Our Business Verticals

At AV MEGAWATT EARTH ENERGY PVT. LTD., we operate across multiple verticals to deliver complete energy and infrastructure solutions under one roof:

☀ Solar Energy Solutions

- Rooftop Solar Power Plants (On-Grid & Off-Grid)
- Solar Panel Distribution (Retail & Bulk)
- EPC, AMC & O&M Services for Solar Power Plants
- Solar Street Lighting Systems (AC & DC)

🔋 Battery & Lighting Solutions

- Lithium-Ion Batteries for Solar & Inverter Applications
- Emergency Solar Home Lighting Systems

🚗 Electric Vehicle (EV) Charging Solutions

- EV Charging Stations for 2-Wheelers & 4-Wheelers
- Residential, Commercial & Industrial EV Charging Setups

⚡ Electrical Infrastructure Solutions

- HT & LT Panel Design and Installation
- MCC, PCC, APFC & Distribution Panels
- Complete Electrical Contracting & Turnkey Project Execution



EV Ch

Our Brand Collaboration





Our Rooftop Solutions

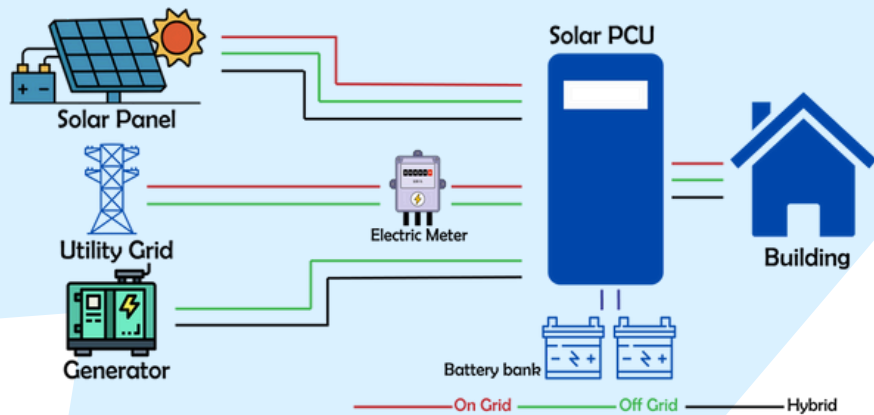
On-grid solutions with net/gross metering

Direct Power - Sun-to-home utility grid connected saves money-net metering generation time 6-8 hrs.

Off-grid solutions for Remote Applications

Battery bank for storing energy, energy self sufficiency reliable systems, 24x7

Hybrid off-grid solution for remote application



How Net Metering Works?



1000 kWh used/month



Solar Producing 800 kWh for free



You are billed for 200kWh Only

Scope Of Service:



Feasibility Analysis



Design & Engineering



Equipment Supply



Installation & Commissioning



Performance Testing



Operation & Maintenance

Key Features:



Linear Performance warranty of modules 25 years



Faster Return on investment



Remote Monitoring Systems



Power Backup for non-sunny days



Complete End-to-End Solutions

Our Clint



MW Benefits of Rooftop Solar

Govt. subsidy benefits
Benefits of Net Metering
Reduced dependence of fossil fuels
Contribute towards green environment
Ideal for industrial, commercial & residential sectors

Up to 70% savings in electricity costs
Typical break-even prior of 4-5 years more than 20% ROI
Accelerated depreciation - 80% in 2 years for added tax benefit
One time investment with fixed energy cost

Our Credentials

1200

3+MW

100%
Customer Satisfaction
After Sale & Services



Our Projects



Bansal Hospital, Sagar

BSSS College, Bhopal

Oriental School, Bhopal

Career College, Bhopal



LNCT College, Bhopal

Manglam Electronics



Warehouses and Cold Storage



Commercial and Industrial



Manufacturing Unit

Our Project Details

Add a little bit Our Completed Projects – Central India We are proud to have successfully executed numerous solar power installations across schools, colleges, industries, cold storage units, hospitals, fuel stations, and commercial properties. Below is a highlight of our projects in Central India:

Industries, Warehouses & Cold Storages

- 500 kW – Himanshu Flour Mills Ltd., Bhopal
- 100KW-Glass Fiver Textiles Pvt. Ltd. Bhopal
- 1.2 MW – Nagpure Royal Cold Storage
- 100 kW – Anand Warehouse, Mandideep
- 100 kW – Cold Storage, Bhopal
- 100 kW – Glass Fibre Textile, Govindpura Industrial Area, Bhopal
- 90 kW – Diffusion Engineers, Nagpur
- 50 kW – Gangotri Cold Storage, Bhopal
- 50 kW – Shubh Stone Crushing Industries, Bhopal

Educational Institutions (Schools & Colleges)

- 200kw Carrier Collage .Bhopal
- 400 kW – LNCT Group of Colleges, Bhopal
- 200 kW – Oriental College, Bhopal
- 150 kW – BSSS College, Bhopal
- 100 kW – LNCT College, Indore
- 100 kW – Oriental College, Indore
- 100 kW – IES College, Bhopal
- 80 kW – ITI, Hoshangabad
- 40.25 kW – ITI, Ratlam
- 30 kW – St. Joseph Girls Sr. Sec. School, Idgah Hills, Bhopal
- 30 kW – Satya Sai Women's College, Habibganj, Bhopal
- 30 kW – Mount Carmel School, BHEL, Bhopal
- 30 kW – St. Theresa Sr. Sec. School, BHEL, Bhopal
- 20 kW – Holy Family School, Gandhi Nagar, Bhopal
- 12.1 kW – ITI, Bhopal
- 5 kW – St. Joseph Sr. Sec. School, Itarsi
- 50 kW – Pentium Point College, Rewa
- ...and many more in the pipeline

Commercial Establishments & Others

- 100 kW – Career Hospital, Bhopal
- 100 kW – Bansal Hospital, Sagar
- 50 kW – Citi Car Maruti Showroom, Satna
- 20 kW – Safari Hotel, Satna
- 15 kW – CP Club, Nagpur
- 50 kW – Gulsan Garden, Bhopal

Petrol Pumps (IOCL)

- 10 kW – Agarwal Automobiles, Ratibad, Bhopal
- 10KW- RD Gopichand IOCL Pump
- 10kw-Babulal & sans IOCL-Bhopal
- 10 kW – RD Santulal, Itarsi
- 15kw -Tirumala Kism seva kendra IOCL-SHIVNIMALWA



Alternative



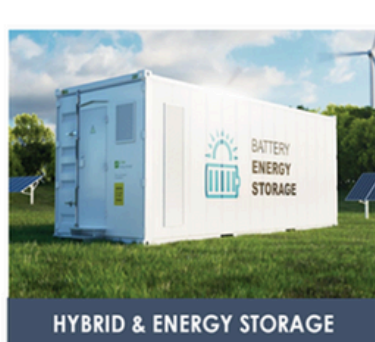
ECO



Power



Our Product Range



MEGAWATT
EARTH ENERGY
Since 2017

Av Megawatt Earth Energy Pvt. Ltd.

Plot No.03 Rajoria state,Khujurikala Rode BHEL ,
Bhopal (M.P) India 462021
+91 9039333366, +91 7999611952, 0755-4160984
megawattearthenery@gmail.com
www.megawattearthenery.com
Location Network - Bhopal ,Indore & Jabalpur



For More Details



Scan Here